

BF451 – Digital wall Thermostat.

GENERAL CHARACTERISTICS

BF451 is a digital wall thermostat equipped with alphanumeric backlit display with two lines to facilitate the displaying of all the settings and simplify programming.

The device is equipped with double hysteresis and can be used for heating or cooling control (for the control of both we recommend the BF454 model).

The maximum and minimum temperatures are registered by the last turning-on or by the last deletion.

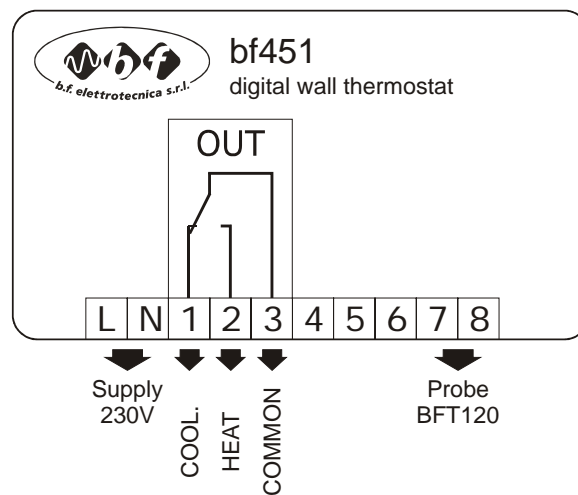
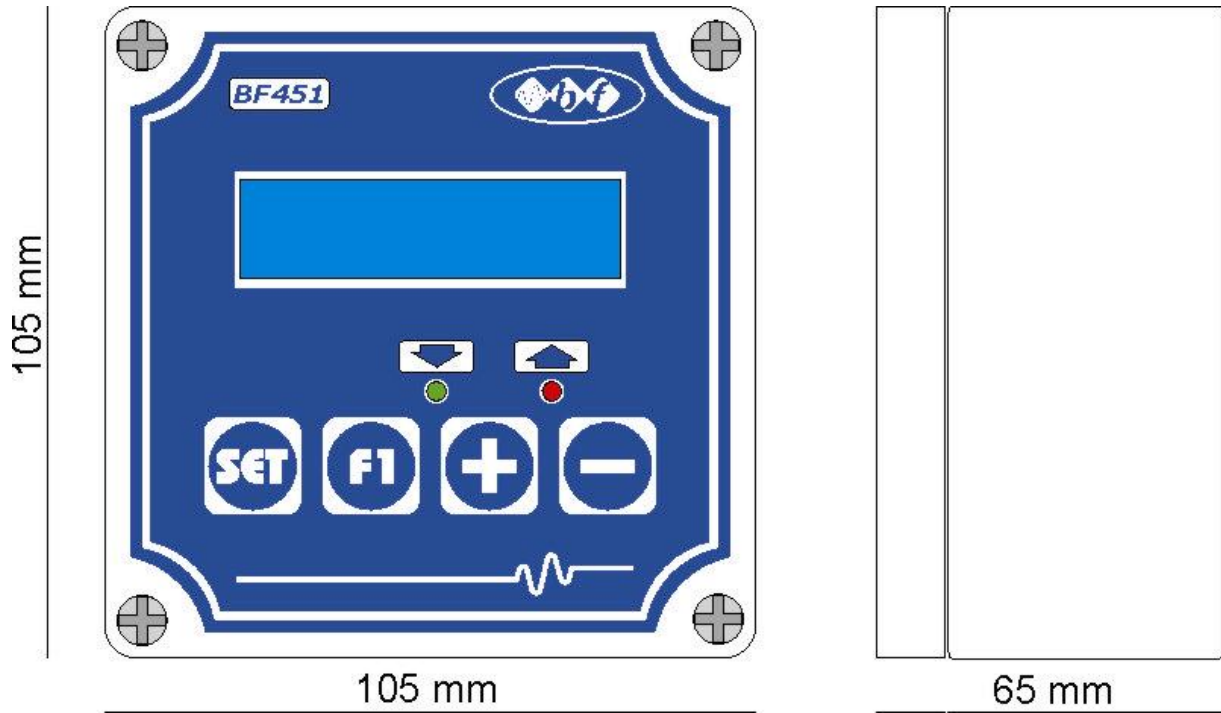
The message displayed on the first line can be personalised by the user, a useful function if more devices are installed.



TECHNICAL CHARACTERISTICS

Supply Voltage	230 V 50Hz
Consumption	3 VA
Type of output	1 relay, exchange contact, max 3A
Type of degree	°C (°F optional)
Probe Range	-40 to 120 °C
Hysteresis	Double: Heat and/or Cool
Control unit function range	0-45 °C with 0-90% humidity
Displays	2X16 alphanumeric backlit display + 2 leds
Connection of external probe	2-wire connection (max recommended distance 60m)
Type of connections	2,5 mm ² screw clamps
Type of control unit installation	Wall installation
Control unit protection level	IP55

DIMENSIONS & WIRING DIAGRAM



IDENTIFICATION CODES

BF451.001	Digital wall thermostat with probe BFT120.
BF50.001	Spare probe BFT120